

SB Series

Type 1 (Tri-Phase AC Lines)

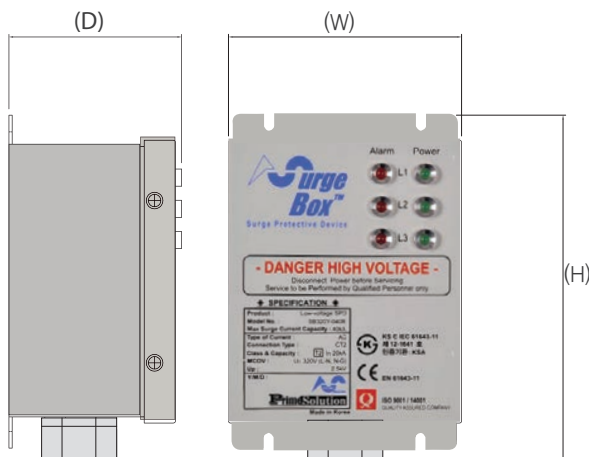


Specifications

- Frequency (Hz) : 50/60
- Protection Mode : L-N / N-PE
- Degree of protection : IP 20
- Diagnostics : Green LEDs (Protected) / Red LEDs (Replace)
- Connection & Mounting Method : Parallel Connection Type / Wall Mounting
- Internal Disconnecter : Thermal Runaway Multi-Fusing Protection
- Size of connecting wir : 10 ~ 16 mm² (or # 7 ~ 5AWG)
- Optional Functions : Remote Contact

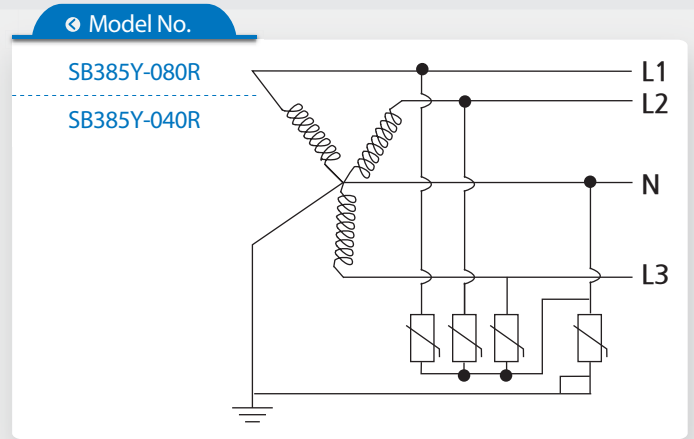
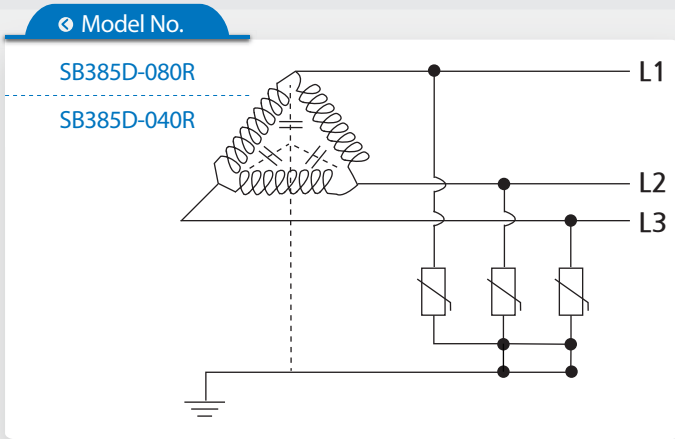
Model No.	SB385D-080R	SB385D-040R	SB385Y-080R	SB385Y-040R
Nominal Voltage Rating	Tri-Phase 110~440V 3W+GND		Tri-Phase 110~440V 4W+GND	
MCOV (Vac)	110 ~ 320			
I_n (kA) -8/20 μ S-	40	30	40	20
I_{max} (kA) -8/20 μ S-	80	40	80	40
VPR (Vpk) (kV)	3.0	2.5	3.0	2.5
SCCR (kA)	200	200	200	200

Dimension



	Size(inch/mm)
W	5.11 / 130
H	7.63 / 184
D	3.26 / 83

● Circuit Diagram



memo



HEAD OFFICE

3960 West Point Loma Blvd. Ste. H San Diego, CA 92110
John Park Director / Technical Support Dept.
 Tel : +1-858,282,0901
 johnpark@primepowersolutions.com
 www.PrimePowerSolutions.com

