

PSV Series

for 3 Pole Y Configurations

Type 1CA (Din-rail Mounting SPDs)



PS Type 1CA Surge Protective Devices are designed for PV/ Photovoltaic system dc-side protection against the damaging from surges and spikes caused by lightning and other electrical sources.

UL1449-4th Type 1CA listed Surge Protective Devices for PV/ Photovoltaic system.

For common mode & differential mode protection

UL1449-4th, Short circuit current rating (SCCR) up to 100kA

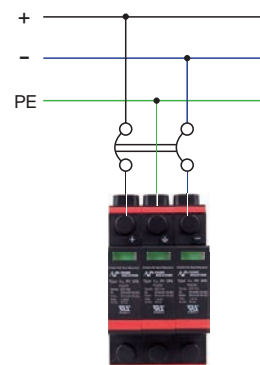
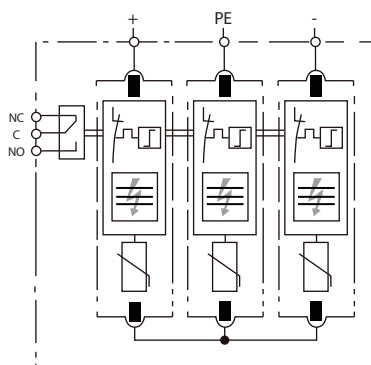


Specifications

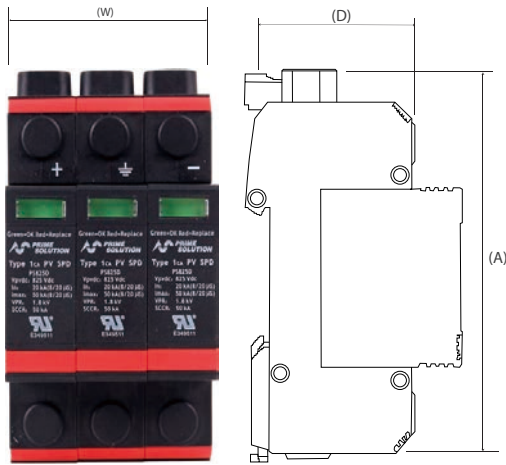
- Cross-section of connection wire : Single-strand 35mm²; Multi-strand 25mm²
- Mounting : 35mm DIN-rail in accordance with EN 50022/DIN46277-3
- Enclosure material : thermoplastic; extinguishing degree UL94 V-0
- Degree of protection : IP20
- Thermal disconnecter : Internal green – normal ; red - failure
- Switching capability Un/In : AC : 250V/0.5A DC : 250V/0.1A 125V/0.2A 75V/0.5A
- Max. Size of Remote connecting wire : Max. 1.5mm²(or # 16AWG)

Model No.		PSV600-V-CD-S	PSV800-V-CD-S	PSV1000-V-CD-S	PSV1200-V-CD-S	PSV1500-V-CD-S
MCOV	VDC	600	800	1000	1200	1500
	VAC	700	920	1120	1340	1500
I_n (kA) -8/20 μ S- / I_{max} (kA) -8/20 μ S-		20 / 50				
VPR(Vpk) (kV)	+/- - PE	0.9	1.2	1.5	1.5	1.8
	+ - -	1.8	2.5	2.5	3.0	4.0
SCCR(kA)		50				

Basic Circuit Diagram



● Dimension



	Size (inch/mm)
W	2.13 / 54
D	2.55 / 65
A	3.54 / 90

memo



HEAD OFFICE

3960 West Point Loma Blvd. Ste. H San Diego, CA 92110
 John Park Director / Technical Support Dept.
 Tel : +1-858,282,0901
 johnpark@primepowersolutions.com
 www.PrimePowerSolutions.com

